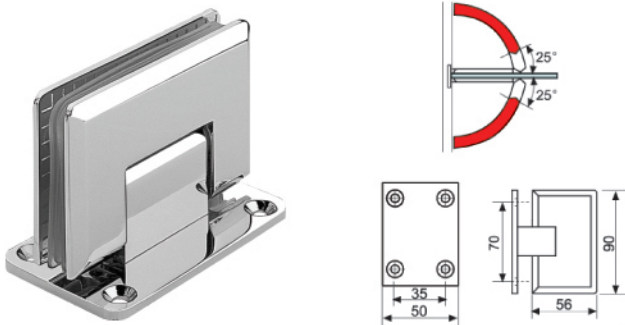
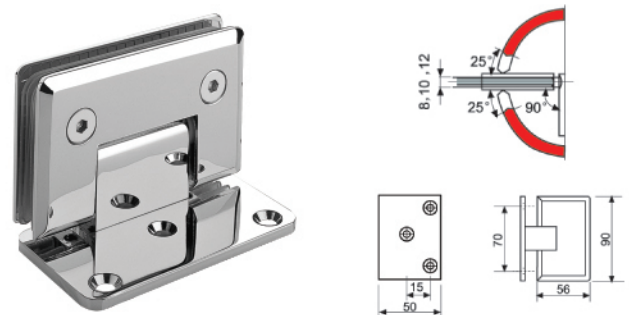


## SHOWER HINGES

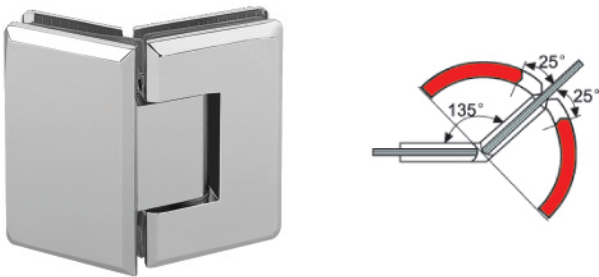
### • CKS-301 Glass to wall



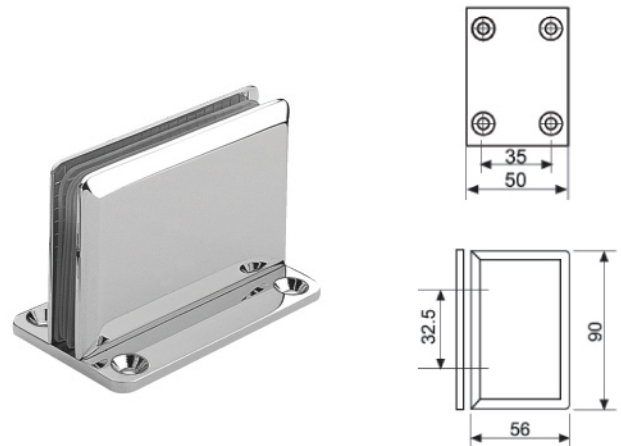
### • CKS-305 Glass to wall (offset)



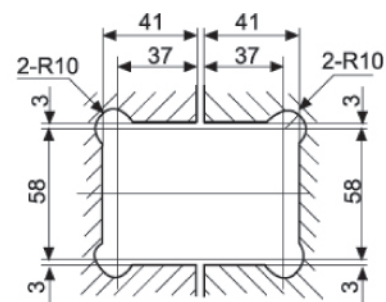
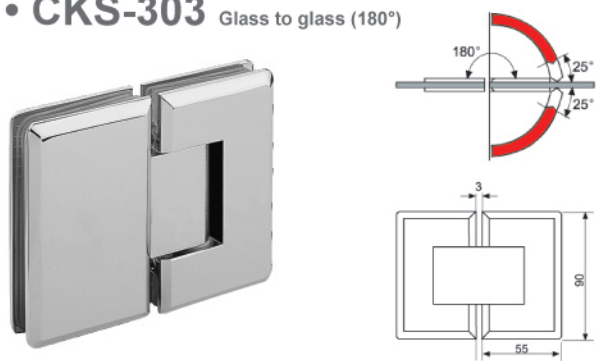
### • CKS-302 Glass to glass (135°)



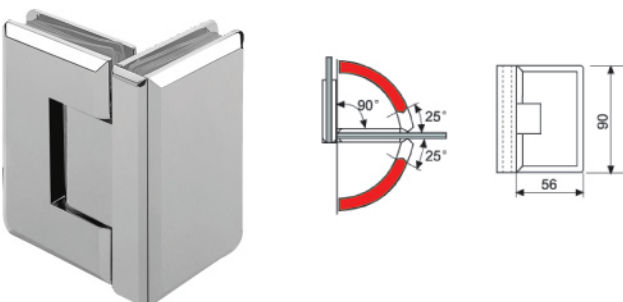
### • CKS-306 Glass to wall (fixed)



### • CKS-303 Glass to glass (180°)



### • CKS-304 Glass to glass (90°)



Self return from 25° (either direction)

Fit for door thickness: 8, 10mm

Door load up to 45kg

Material : Brass, Stainless Steel

Finish : Bright Chrome Plated (CP)

Polished Stainless Steel (PSS)

Satin Stainless Steel (SSS)

Glass preparation detail

(The glass angle of fixed panel need to cut 45° when used in CKS 302 135° hinge)