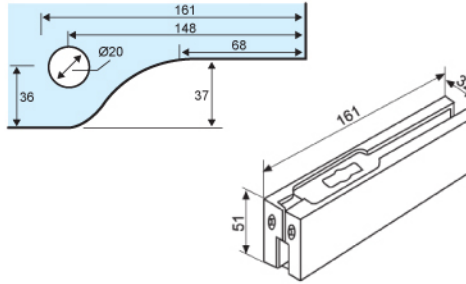
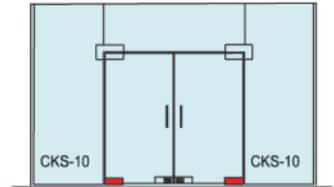


PATCH FITTINGS

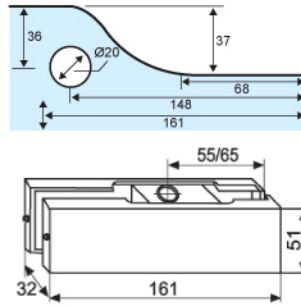


• CKS-10

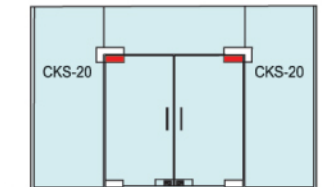


Bottom patch fitting

With insert for most floor hinges
 Fit for glass thickness : 10,12mm
 Finish of the cover plate : Polished Stainless Steel (PSS)

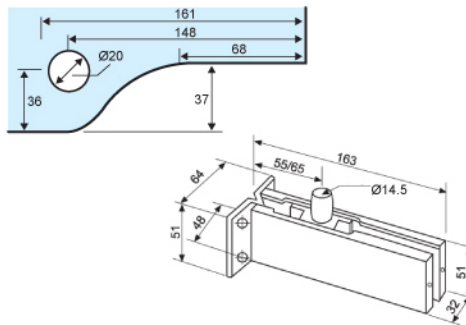


• CKS-20

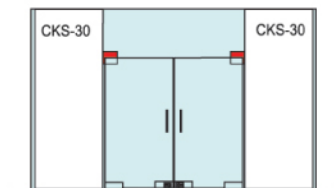


Top patch fitting

Fit for glass thickness : 10,12mm
 Finish of the cover plate : Polished Stainless Steel (PSS)

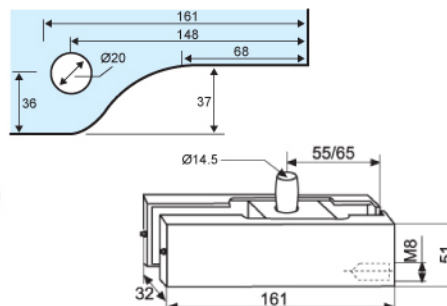


• CKS-30

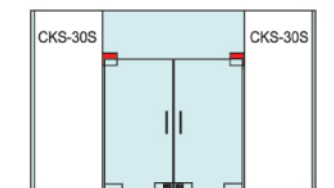


Overpanel pivot patch fitting

Fit for glass thickness : 10,12mm
 Finish of the cover plate : Polished Stainless Steel (PSS)



• CKS-30S



Overpanel pivot patch fitting

Fit for glass thickness: 10,12mm
 Finish of the cover plate: Polished Stainless Steel (PSS)