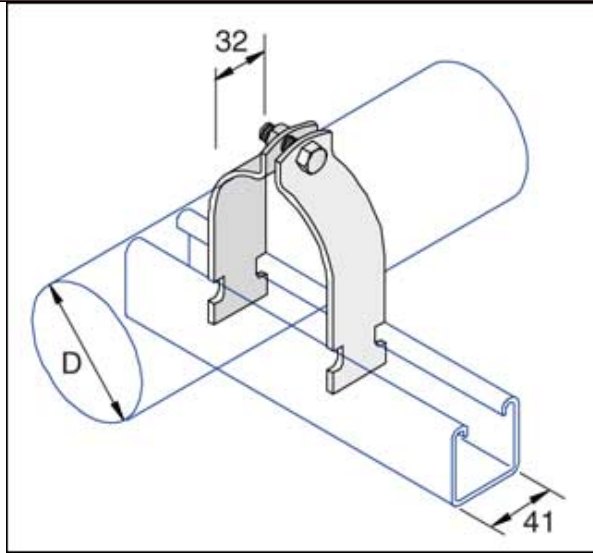


Standard Dimensions:

The following are standard dimensions unless otherwise stated.

All dimensions subject to commercial tolerance.

- Hole Size: 14mm diameter
- Hole Spacing (From End): 20mm from end of fitting
- Hole spacing (On Center): 48mm center to center
- Fitting Width: 40mm



Part No.	Finish	Size	D (mm)	Weight	Box Qty
M1108	PG	9.5mm	8.7 - 10.3	0.04	100
M1109	PG	11mm	10.3 - 12.7	0.04	100
M1110	PG	12.5mm	11.9 - 13.5	0.04	100
M1111	PG	14mm	13.5 - 14.3	0.04	100
M1112	PG	15mm	14.3 - 16.7	0.04	100
M1113	PG	17mm	15.9 - 18.3	0.04	100
M1114	PG	19mm	18.3 - 20.6	0.05	100
M1115	PG	20mm	19.0 - 21.4	0.05	100
M1116	PG	23mm	21.4 - 25.4	0.05	100
M1117	PG	26.5mm	25.4 - 27.8	0.05	100
M1118	PG	28.5mm	27.0 - 30.2	0.06	100
M1119	PG	32mm	30.2 - 33.8	0.07	100
M1120	PG	34mm	31.8 - 35.9	0.07	100
M1121	PG	37mm	34.9 - 39.7	0.08	100
M1122	PG	41mm	39.7 - 42.9	0.08	100
M1123	PG	44mm	42.9 - 46.8	0.09	100
M1124	PG	48mm	46.8 - 50.8	0.13	50
M1125	PG	50mm	48.4 - 52.4	0.13	50
M1126	PG	54mm	52.4 - 58.7	0.14	50
M1127	PG	61mm	58.7 - 63.5	0.15	50
M1128	PG	66mm	63.5 - 68.3	0.16	50
M1129	PG	70mm	68.3 - 73.0	0.16	50
M1130	PG	76mm	73.0 - 79.4	0.17	50
M1131	PG	79mm	76.2 - 82.6	0.18	50
M1132	PG	85mm	82.6 - 88.1	0.19	50
M1133	PG	90mm	88.1 - 95.2	0.20	50
M1134	PG	97mm	95.2 - 100.0	0.22	25
M1135	PG	102mm	100.0 - 106.4	0.27	25
M1136	PG	109mm	106.4 - 111.1	0.29	25
M1137	PG	115mm	111.1 - 120.7	0.30	25
M1138	PG	125mm	120.7 - 129.4	0.32	25
M1139	PG	133mm	129.4 - 138.1	0.34	25
M1140	PG	142mm	138.1 - 149.2	0.35	25
M1141	PG	155mm	149.2 - 161.9	0.38	25
M1142	PG	168mm	161.9 - 174.6	0.41	25
M1143	PG	178mm	174.6 - 182.6	0.42	25
M1144	PG	186mm	182.6 - 190.5	0.47	10
M1145	PG	195mm	190.5 - 203.2	0.49	10
M1146	PG	206mm	203.2 - 212.7	0.50	10
M1147	PG	218mm	212.7 - 225.4	0.51	10
M1148	PG	232mm	225.4 - 238.1	0.52	10
M1149	PG	244mm	238.1 - 250.8	0.56	10
M1150	PG	257mm	250.8 - 263.5	0.58	10
M1151	PG	269mm	263.5 - 276.2	0.59	10
M1152	PG	282mm	275.2 - 288.9	0.62	10
M1153	PG	295mm	288.9 - 301.6	0.65	10
M1154	PG	308mm	301.6 - 314.3	0.68	10
M1155	PG	320mm	314.3 - 327.0	0.70	10
M1108	SS	9.5mm	8.7 - 10.3	0.05	100
M1109	SS	11mm	10.3 - 12.7	0.05	100
M1110	SS	12.5mm	11.9 - 13.5	0.05	100
M1111	SS	14mm	13.5 - 14.3	0.06	100
M1112	SS	15mm	14.3 - 16.7	0.06	100
M1113	SS	17mm	15.9 - 18.3	0.06	100
M1114	SS	19mm	18.3 - 20.6	0.06	100
M1115	SS	20mm	19.0 - 21.4	0.06	100
M1116	SS	23mm	21.4 - 25.4	0.08	100
M1117	SS	26.5mm	25.4 - 27.8	0.08	100

M1118	SS	28.5mm	27.0 - 30.2	0.09	100
M1119	SS	32mm	30.2 - 33.8	0.09	100
M1120	SS	34mm	31.8 - 35.9	0.09	100
M1121	SS	37mm	34.9 - 39.7	0.09	100
M1122	SS	41mm	39.7 - 42.9	0.10	100
M1123	SS	44mm	42.9 - 46.8	0.10	100
M1124	SS	48mm	46.8 - 50.8	0.15	50
M1125	SS	50mm	48.4 - 52.4	0.15	50
M1126	SS	54mm	52.4 - 58.7	0.15	50
M1127	SS	61mm	58.7 - 63.5	0.16	50
M1128	SS	66mm	63.5 - 68.3	0.16	50
M1129	SS	70mm	68.3 - 73.0	0.16	50
M1130	SS	76mm	73.0 - 79.4	0.17	50
M1131	SS	79mm	76.2 - 82.6	0.17	50
M1132	SS	85mm	82.6 - 88.1	0.17	50
M1133	SS	90mm	88.1 - 95.2	0.18	50
M1134	SS	97mm	95.2 - 100.0	0.22	25
M1135	SS	102mm	100.0 - 106.4	0.22	25
M1136	SS	109mm	106.4 - 111.1	0.22	25
M1137	SS	115mm	111.1 - 120.7	0.25	25
M1138	SS	125mm	120.7 - 129.4	0.26	25
M1139	SS	133mm	129.4 - 138.1	0.31	25
M1140	SS	142mm	138.1 - 149.2	0.32	25
M1141	SS	155mm	149.2 - 161.9	0.33	25
M1142	SS	168mm	161.9 - 174.6	0.38	25
M1143	SS	178mm	174.6 - 182.6	0.39	25
M1144	SS	186mm	182.6 - 190.5	0.40	10
M1145	SS	195mm	190.5 - 203.2	0.40	10
M1146	SS	206mm	203.2 - 212.7	0.41	10
M1147	SS	218mm	212.7 - 225.4	0.42	10
M1148	SS	232mm	225.4 - 238.1	0.51	10
M1149	SS	244mm	238.1 - 250.8	0.52	10
M1150	SS	257mm	250.8 - 263.5	0.53	10
M1151	SS	269mm	263.5 - 276.2	0.54	10
M1152	SS	282mm	275.2 - 288.9	0.55	10
M1153	SS	295mm	288.9 - 301.6	0.56	10
M1154	SS	308mm	301.6 - 314.3	0.57	10
M1155	SS	320mm	314.3 - 327.0	0.57	10

Project: _____

Approval Stamp:

Architect / Engineer: _____

Date: _____ **Phone:** _____

Contractor: _____

Address: _____

Notes 1: _____
