

UNISTRUT® BEAM CLAMPS

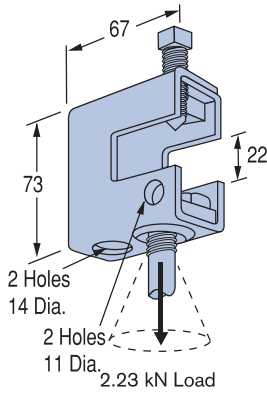
APPLICATION

Beam Clamps are designed to provide a fast easy attachment to overhead structures. They alleviate the need for drilling and welding as well as being completely adjustable.

Finishes – Standard finishes as shown.

Design Bolt Torque – Refer to Engineering Data (page 45)

P2676



Mass: 31kg/100

Beam Attachment Applications:

Clamp P2676 provides a means of rod suspension, either fixed, or where a free swing of up to 15 degrees is required. Swivel nuts to be ordered separately.

Clamp may also be used with P2677 as illustrated in application drawings.

Standard Finishes:

Z.P, H.D.G. & S.S.

M12 x 50 cone-pointed screw & nut included

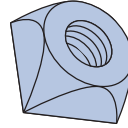
Clamp material 3mm thick

Swivel nut and Lock nut not included

Rod size up to M12

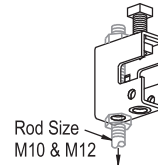
Rod swivel 15° all directions

P2676 – SWIVEL NUT

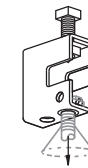


Part No.	Size	Mass kg/100
P267910	M10	1.7
P267912	M12	1.5

Note: Swivel nuts are used with P2676 and P2677. Order size as required.

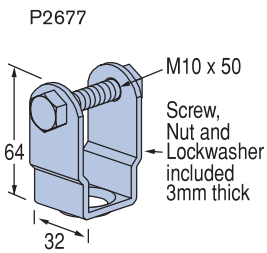


Design Load
1.33 kN



Design Load
2.23 kN

P2677

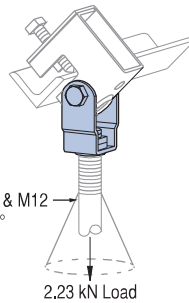


Mass: 13.6kg/100

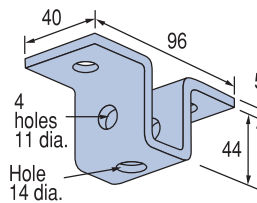
P2677 clevis hanger to be used with P2676 to provide angle adjustment and 15 degree free swing for up to M12 rod suspension. Order P2679 series swivel nuts required.

Standard Finishes: Z.P

P2676 & P2677



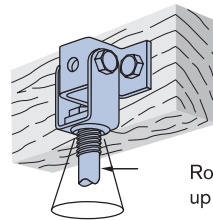
P2682



Mass: 23kg/100

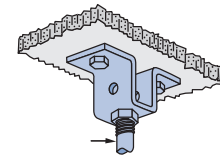
Hanger clevis for up to M12 rod suspension. Suitable for wood ceilings. May also be used with P2677 as illustrated in application drawings.

Standard Finishes: Z.P

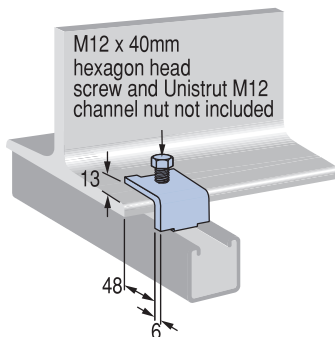


Rod size
up to M12

Rod size up to M12
Rod swivel 15°
all directions



P1386



Mass: 12kg/100

Design Load each:

P1000® - 2.67kN

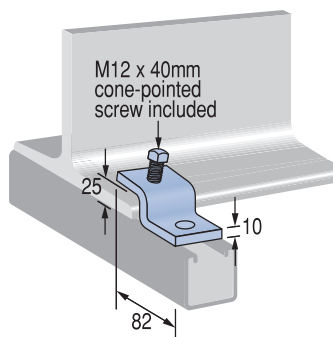
P2000 - 2.00kN

Standard Finishes:

Z.P. & H.D.G

Use in pairs only

P1379



Mass: 34kg/100

Design Load each:

P1000® - 2.67kN

P2000 - 2.00kN

Standard Finishes:

Z.P. & H.D.G

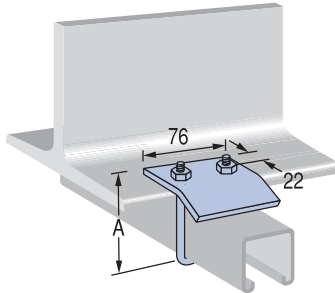
Each clamp requires:

M12 x 30 Hex Head Set Screw and M12 Channel Nut (not included)

Use in pairs only

UNISTRUT® BEAM CLAMPS

P2785 & P2786



P2785 accepts following channels:
P1000®, P2000, P3300, P4000
A = 86 Mass: 38kg/100
For use with beams up to 19mm

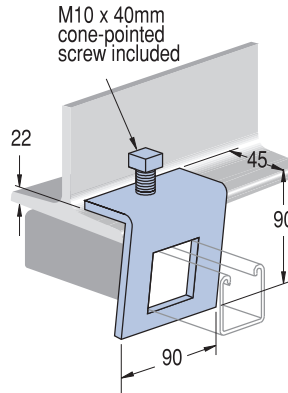
P2786 accepts following channels:
P1001, P2001, P5500
A = 127 Mass: 41kg/100
For use with beams up to 19mm

Design Load each:
4.45kN

Standard Finishes:
Z.P. & H.D.G. + SS

Use in pairs only

P1796



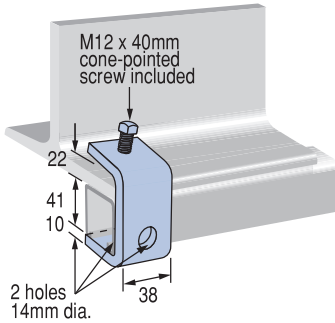
Mass: 49kg/100
Suits P1000® & P2000

Design Load each:
2.22kN

Standard Finishes:
Z.P. & H.D.G.

Use in pairs only

P1271



Mass: 43kg/100

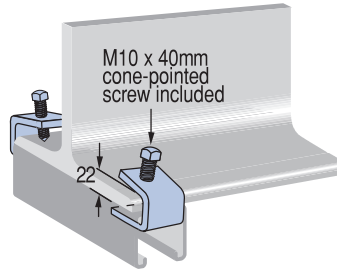
Design Load each:
2.22kN

Standard Finishes:
H.D.G.

Requires P1010 Channel nut & bolt

Use in pairs only

P1272



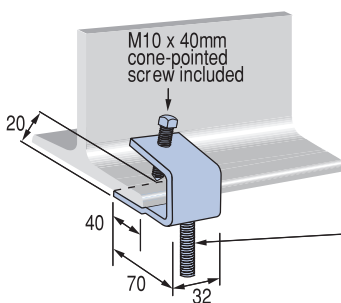
Mass: 18kg/100

Design Load Per Pair:
2.00kN

Standard Finishes:
Z.P., H.D.G., & S.S.

Use in pairs only

P1270



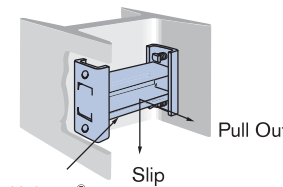
Mass: 29kg/100

Design Load each:
0.38kN

Standard Finishes:
Z.P. & H.D.G.

Tapped hole to accept M10 Unirod, to be secured with M10 nut (not included)

P3087



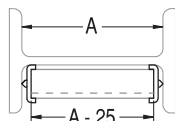
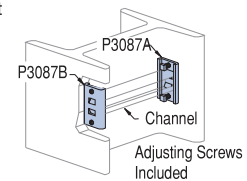
Mass: 61.7kg/100

Safety Factor: 3

Standard Finishes:
Z.P. & H.D.G.

Unistrut® Channel not included

Hardened cone-point adjusting screws included



Channel Type	Design Pullout Load kN	Design Slip Load kN
P1000	4.45	3.56
P2000	2.22	1.33